

# LT2115 CM

**Spare parts**

**Ersatzteile**

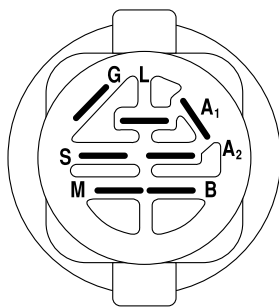
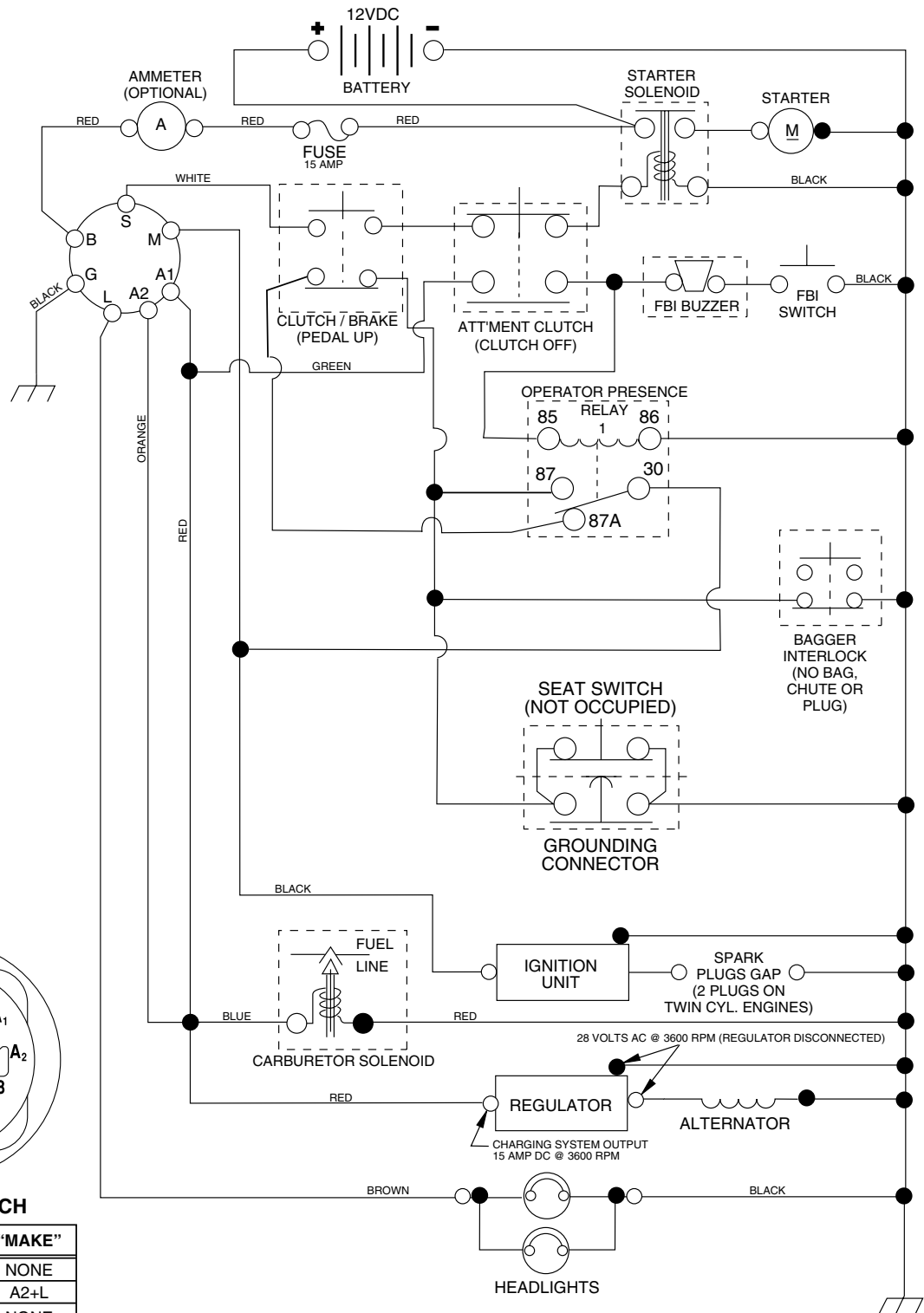
**Pièces détachées**

**Reserve onderdelen**

**Repuestos**

**Reservdelar**

# TRACTOR- -MODEL NO.LT2115CM (J2115CMA) PRODUCT NO. 954 13 02-15 SCHEMATIC



**IGNITION SWITCH**

POSITION	CIRCUIT	"MAKE"
OFF	M+G+A1	NONE
RUN/LIGHT	B+A1	A2+L
RUN	B+A1	NONE
START	B + S + A1	NONE

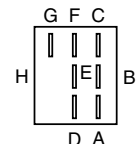
**WIRING INSULATED CLIPS**  
NOTE: IF WIRING INSULATED CLIPS WERE REMOVED FOR SERVICING OF UNIT, THEY SHOULD BE REPLACED TO PROPERLY SECURE YOUR WIRING.

**PTO SWITCH**

POSITION	CIRCUIT
OFF	C + G, B + H
ON	C + F, B + E, A + D

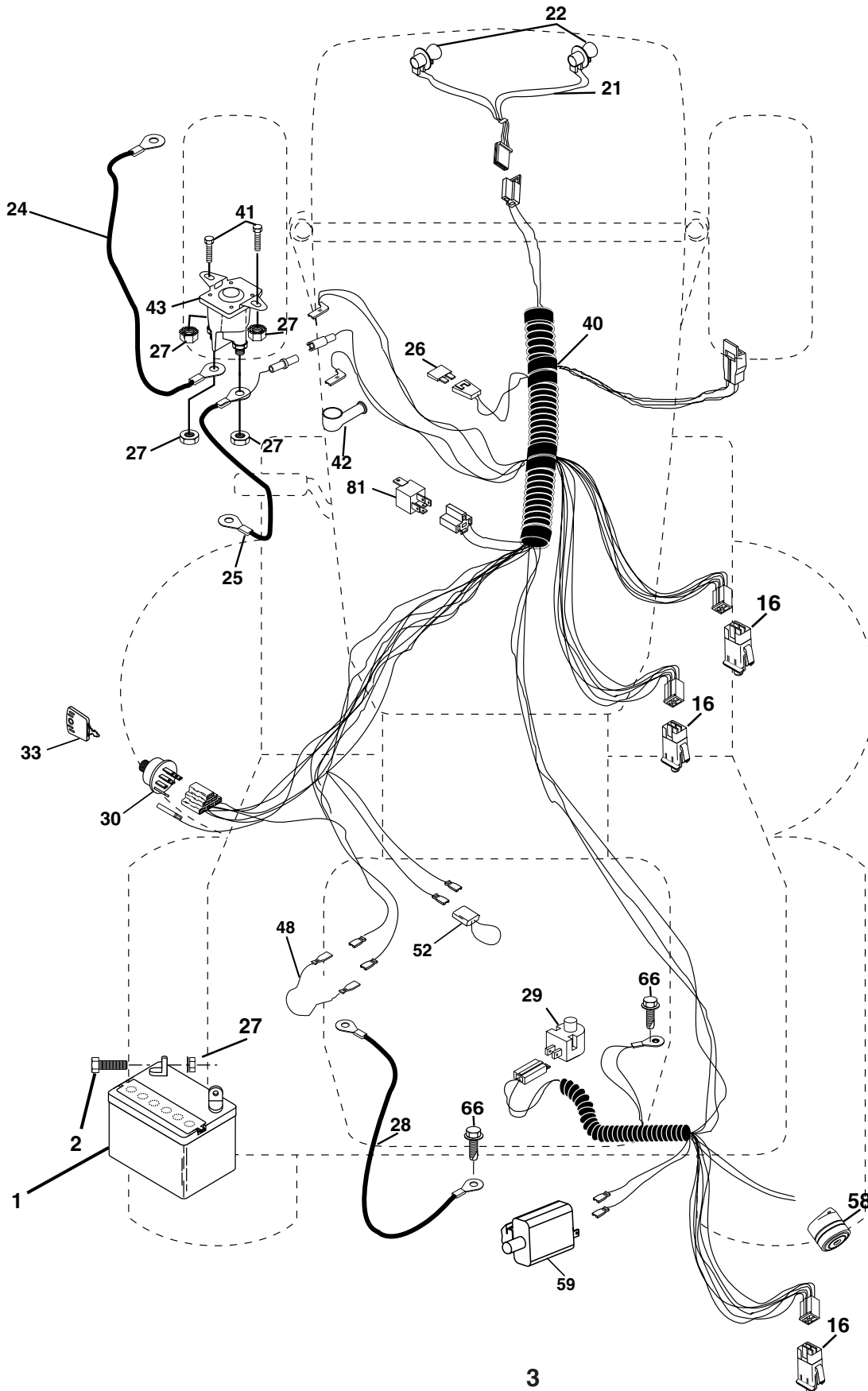
○  
REMOVABLE CONNECTIONS

●  
NON-REMOVABLE CONNECTIONS



# REPAIR PARTS

TRACTOR- -MODEL NO.LT2115CM (J2115CMA) PRODUCT NO. 954 13 02-15  
ELECTRICAL



# REPAIR PARTS

TRACTOR- -MODEL NO.LT2115CM (J2115CMA) PRODUCT NO. 954 13 02-15  
ELECTRICAL

KEY NO.	PART NO.	DESCRIPTION
1	532 14 49-27	Battery 12 Volt 35 AMP Wet
2	874 76 04-12	Bolt Hex Hd 1/4-20 unc x 3/4
16	532 17 61-38	Switch Interlock Push-In
21	532 17 56-88	Harness Asm Light W/4152J
22	532 00 41-52	Bulb Light #1156
24	532 12 47-80	Cable Starter 6 Ga. 11" Red
25	532 16 59-87	Cable Battery Crd 56" Red
26	532 17 51-58	Fuse 15 Amp
27	873 51 04-00	Nut Keps Hex 1/4-20 unc
28	532 12 77-25	Cable Ground 6 Ga. 18" Black
29	<b>532 12 13-05</b>	Switch Plunger Normal Op Gray
30	532 17 55-66	Switch Ignition Delta
33	532 14 04-01	Key Ign Molded Delta
40	<b>532 18 80-36</b>	Harness Ign Crd Noram
41	871 11 04-08	Bolt Flk Fin Hex 1/4-20 unc x 1/2
42	532 13 15-63	Cover Terminal Red
43	532 17 88-61	Solenoid
48	532 14 08-44	Adapter Ammeter Rectangular
52	532 14 19-40	Protection Wire Loop
58	532 16 94-19	Buzzer Crd
59	532 18 03-79	Switch FBI CRD
66	817 49 06-08	Screw Thdrol 3/8-16 x 1/2 Ty-Tt
81	532 10 97-48	Relay Asm

**NOTE:** All component dimensions given in U.S. inches.  
1 inch = 25.4 mm.



# REPAIR PARTS

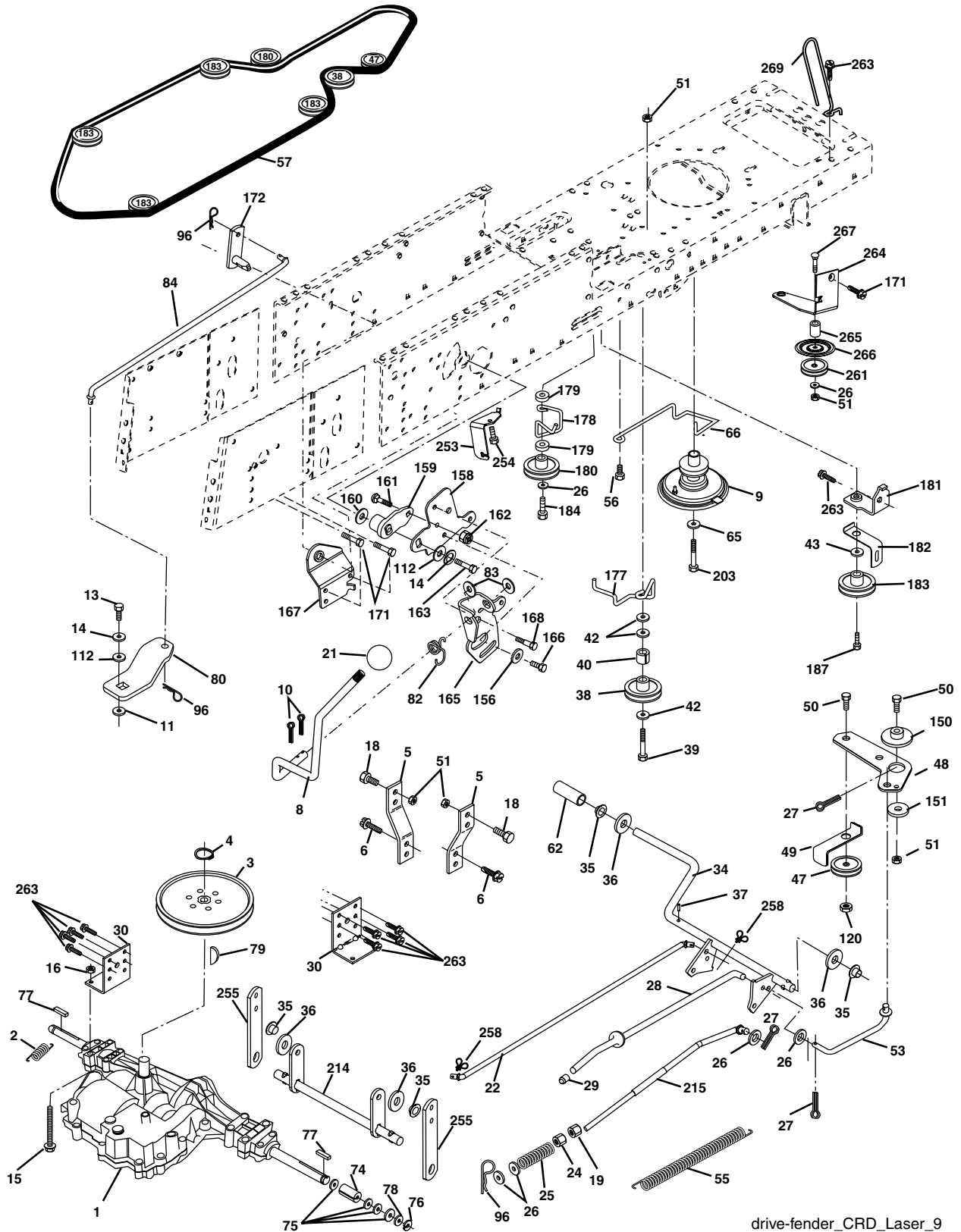
## TRACTOR- -MODEL NO.LT2115CM (J2115CMA) PRODUCT NO. 954 13 02-15 CHASSIS AND ENCLOSURES

KEY NO.	PART NO.	DESCRIPTION	KEY NO.	PART NO.	DESCRIPTION
1	532 17 46-20	Chassis Assembly	69	532 14 24-32	Screw Hex Wsh Hi-Lo 1/4-1/2
2	532 18 03-84	Drawbar	89	532 18 13-88	Console CRD 6 Sp
3	817 06 06-12	Screw 3/8-16 x .75 smqml Tap/R.Z	145	532 15 65-24	Rod Pivot Chassis/Hood
5	532 15 52-72	Bumper Hood/Dash	162	532 18 03-82	Bracket Exten Chassis Lh CRD
6	532 18 44-19	Saddle	163	532 18 03-83	Bracket Exten Chassis Rh CRD
8	532 12 64-71	Clip Insulator 13/32 Mtg. Hole	164	532 16 56-05	Support Battery CRD
9	532 18 54-80	Dash	165	532 18 13-56	Cover Battery CRD
10	872 14 06-08	Bolt, Carriage 3/8-16 x 3/4	166	532 17 18-75	Screw Hwhd Hi-Lo #13-16 x 5/8
11	532 17 49-96	Panel, Dash, L.H.	170	532 17 88-62	Backplate Asm. CRD
12	532 14 56-60	Clip Tinnerman Grille P/L	171	872 14 06-20	Bolt Hex 3/8-16 x 2-1/2 Gr. 5
13	532 17 21-06	Panel, Asm. Dash R.H.	172	819 13 20-16	Washer 13/32 x 1-1/4 x 16 Ga.
15	874 18 05-12	Screw, Machine, Truss Head 5/16-18 unc x 3/4	173	873 51 06-00	Nut, Keps Hex 3/8-16 unc
16	873 51 05-00	Nut	175	532 18 82-03	Door Trap
17	532 15 07-60	Hood Assembly	179	532 18 82-02	Rod Pivot FBI CRD
18	532 18 49-21	Bumper Hood	184	532 17 46-62	Bracket Actuator Bagger CRD
24	874 78 06-16	Bolt	185	532 18 11-01	Knob Rod Brake Parking
25	819 13 13-12	Washer 13/32 x 13/16 x 12 Ga.	186	532 16 07-93	Latch Asm Mulch/Bagger
26	873 80 06-00	Nut	187	532 12 50-04	Nut Weld
28	532 17 93-51	Grille/Lens Asm	188	819 06 12-16	Washer #10
29	532 17 90-14	Lens, Grille	189	810 07 10-00	Washer Lock #10
30	532 18 13-59	Fender	190	871 08 10-10	Screw Pan Hd Phillip 10-24 x 5/8
31	532 16 51-56	Bracket, Fender Support	198	532 16 89-37	Nut Push
33	532 18 11-93	Footrest, L.H.	205	817 49 06-08	Screw
34	532 18 11-94	Footrest, R.H.	207	817 06 05-08	Screw 5/16-18 x 1/2
35	872 11 06-06	Bolt	208	817 67 06-08	Screw Thdrol 3/8-16 x 1/2
37	817 49 05-08	Screw Thdrol 5/16-18 x 1/2 TYT	209	817 00 06-12	Screw Hex Wsh Thdrol 3/8-16
38	532 18 17-48	Pivot Bracket Assembly	212	532 16 59-19	Insert Lens Reflective
51	873 80 04-00	Nut Lock w/Insert 1/4-20 unc	256	532 18 13-61	Cover Fender Rack
52	819 09 14-16	Washer 9/32 x 7/8 x 16 Ga.	265	532 18 57-04	Seal RH Side Bagger
53	532 14 52-01	Bracket Grille Pick-off LH	266	532 18 57-03	Seal LH Side Bagger
55	532 14 52-02	Bracket Grille Pick-off RH	--	532 00 54-79	Plug Btn. Blk
57	874 78 04-12	Bolt, Fin Hex 1/4-20 unc x .75			
58	532 18 46-43	Duct Intake Air			

**NOTE:** All component dimensions given in U.S. inches.  
1 inch = 25.4 mm.

# REPAIR PARTS

TRACTOR- -MODEL NO.LT2115CM (J2115CMA) PRODUCT NO. 954 13 02-15  
DRIVE



drive-fender\_CRD\_Laser\_9

# REPAIR PARTS

## TRACTOR- -MODEL NO.LT2115CM (J2115CMA) PRODUCT NO. 954 13 02-15 DRIVE

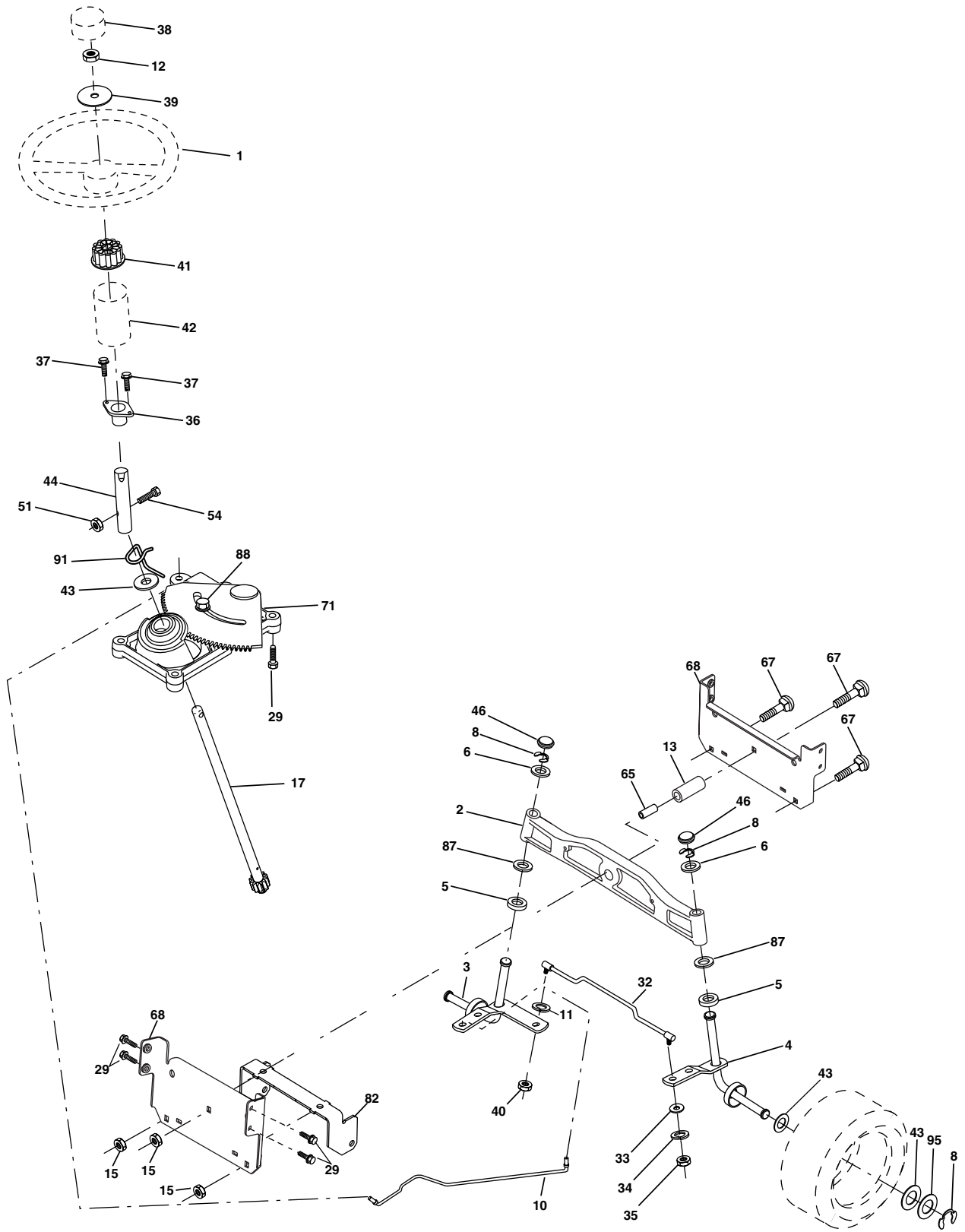
KEY NO.	PART NO.	DESCRIPTION	KEY NO.	PART NO.	DESCRIPTION
1	-----	Transaxle Peerless 206-546 (Order parts from transaxle manufacturer)	78	532 12 17-48	Washer 25/32 x 1-5/8 x 16 Ga.
2	532 14 66-82	Spring Brake Return	79	532 12 50-96	Key Woodruff
3	532 16 59-99	Pulley Transaxle	80	532 14 50-90	Arm Shift PMST 20" Tires
4	812 00 00-28	Ring Retainer #5100-62	82	532 16 57-11	Spring, Torsion
5	532 12 15-20	Strap torque 30 degrees	83	819 17 12-16	Washer 17/32 x 3/4 x 16 Ga.
6	817 06 05-12	Screw 5/16-18 x 3/4	84	532 16 56-21	Link Shift CRD Pmst 18" Tires
8	532 16 56-19	Rod Shift Fender Adjust Lt	96	532 12 47-88	Spring, Retainer 1"
9	532 18 03-54	Clutch Noram	112	819 09 12-10	Washer 9/32 x 3/4 x 10 Ga.
10	876 02 04-16	Pin, Cotter 1/8 x 1	120	873 90 06-00	Nut Lock Flg. 3/8-16 unc
11	532 10 57-01	Washer Plate Shf .3888 sq hole	150	532 16 58-50	Bushing, Bellcrank Grnd Dr
13	874 55 04-12	Bolt 1/4-28 unf Gr. 8 w/patch	151	819 13 32-10	Washer 13/32 x 2 x 10 Ga.
14	810 04 04-00	Washer, Lock Hvy Helical	156	532 16 60-02	Washer Srrd 5/16 ID x 1.125
15	874 49 05-44	Bolt Hex FGHD 5/16-18 x Gr 5	158	532 16 55-89	Bracket Shift Mount
16	873 80 05-00	Nut, Lock Hex w/lms 5/16-18 unc	159	532 18 39-00	Hub Shift
18	874 78 06-16	Bolt Hex 3/8-16 unc x 1 Gr. 5	160	819 29 20-16	Washer 29/32 x 1-1/4 x 16 Ga.
19	873 80 06-00	Nut, Lock Hex w/Wsh 3/8-16 unc	161	872 14 04-06	Bolt Rdhd Sqnk 1/4-20 x 3/4 Gr 5
21	532 12 12-74	Knob 1/2-13 Blk Duckhead	162	873 68 04-00	Nut Crownlock 1/4-20 unc
22	532 17 56-07	Rod, Brake CRD	163	874 78 04-16	Bolt Hex Fin 1/4-20 unc x 1 Gr 5
24	873 35 06-00	Nut	165	532 16 56-23	Bracket Pivot Lever
25	532 10 68-88	Spring, Rod, Brake	166	817 49 05-10	Screw 5/16-18 x 5/8
26	819 13 13-16	Washer 13/32 x 13/16 x 16 Ga.	167	532 16 55-88	Bracket Support Shift CRD
27	876 02 04-12	Pin, Cotter 1/8 x 3/4	168	532 16 54-92	Bolt Shoulder 5/16-18 x .561
28	532 17 57-65	Rod, Parking Brake	171	817 49 06-08	Screw Thdrol 3/8-16 x 1/2 Ty-Tt
29	532 07 16-73	Cap, Brake Parking Black	172	532 16 56-35	Shaft Asm Shift Front CRD PMST
30	532 17 49-73	Bracket, Mfg. Transaxle	177	532 16 59-32	Keeper Flat Idler 3.06" CRD
34	532 17 55-78	Shaft, Asm Pedal Foot	178	532 16 59-33	Keeper Belt Idler 1.88" CRD
35	532 12 01-83	Bearing, Nylon	179	532 12 09-58	Washer Sintered
36	819 21 16-16	Washer 21/32 x 1 x 16 Ga.	180	532 16 56-30	Pulley Flat Idler
37	532 12 49-63	Pin, Roll 3/16 x 1"	181	532 18 02-11	Bracket Idler Ground Drive CRD
38	532 16 59-36	Pulley, Flat	182	532 18 26-82	Keeper Belt 2.5" Od V-Idler CRD
39	874 76 06-44	Bolt Fin Hex 3/8-16 unc x 2-3/4	183	532 18 60-07	Pulley V-Idler
40	532 12 49-65	Spacer, Split 395 x 59 Bzp	184	817 49 06-44	Screw Hexwsh Thdrol 3/8-16 x 2-3/4
42	819 13 13-12	Washer 13/32 x 13/16 x 12 Ga.	187	817 58 05-20	Screw 5/16-18 x 1.25
43	819 11 10-12	Washer 11/32 x 5/8 x 12 Ga.	203	871 17 07-80	Bolt Hex 7/16-20 x 5
47	532 12 77-83	Pulley, Idler, V Groove Plasic	214	532 17 56-09	Shaft Asm Brake
48	532 15 44-07	Bellcrank Clutch Grnd Drv	215	532 17 56-51	Rod Brake Secondary
49	532 12 32-05	Retainer, Belt Style Spring	253	532 17 50-28	Bracket Cable Chassis
50	872 11 06-12	Bolt Carr. 3/8-16 x 1-1/2 Gr. 5	254	817 00 06-16	Screw 3/8-16 x 1
51	873 68 06-00	Nut, Crownlock 3/8-16 UNC	255	532 17 56-08	Brace Shaft Brake Mtg.
53	532 10 57-10	Link, Clutch 7.66	258	532 17 80-62	Clip Retainer
55	532 10 57-09	Spring, Return, Clutch	261	532 13 14-94	Pulley Idler
56	817 06 06-20	Screw 3/8-16 x 1-1/4	263	817 00 06-12	Screw HexWsh Thdr. 3/8-16 x 3/4
57	532 16 56-31	V-Belt Kev PMST CRD	264	532 18 19-95	Bracket Clutch Mounting
62	532 12 48-72	Cover, Pedal	265	532 18 20-13	Spacer Idler Chassis
65	810 04 07-00	Washer	266	532 18 20-61	Shield Idler
66	532 15 47-78	Keeper, Belt Engine F-Proof	267	872 14 06-26	Bolt Rdhd 3/8-16 unc x 3-1/4
74	532 13 70-57	Spacer Axle	269	532 18 24-02	Guard Muffler RH
75	532 12 17-49	Washer 25/32 x 1-1/4 x 16 Ga.			
76	812 00 00-01	Ring, E			
77	532 12 35-83	Key, Square			

**NOTE:** All component dimensions given in U.S. inches  
1 inch = 25.4 mm



# REPAIR PARTS

TRACTOR- -MODEL NO.LT2115CM (J2115CMA) PRODUCT NO. 954 13 02-15  
STEERING ASSEMBLY



steering\_pl.lt\_29

# REPAIR PARTS

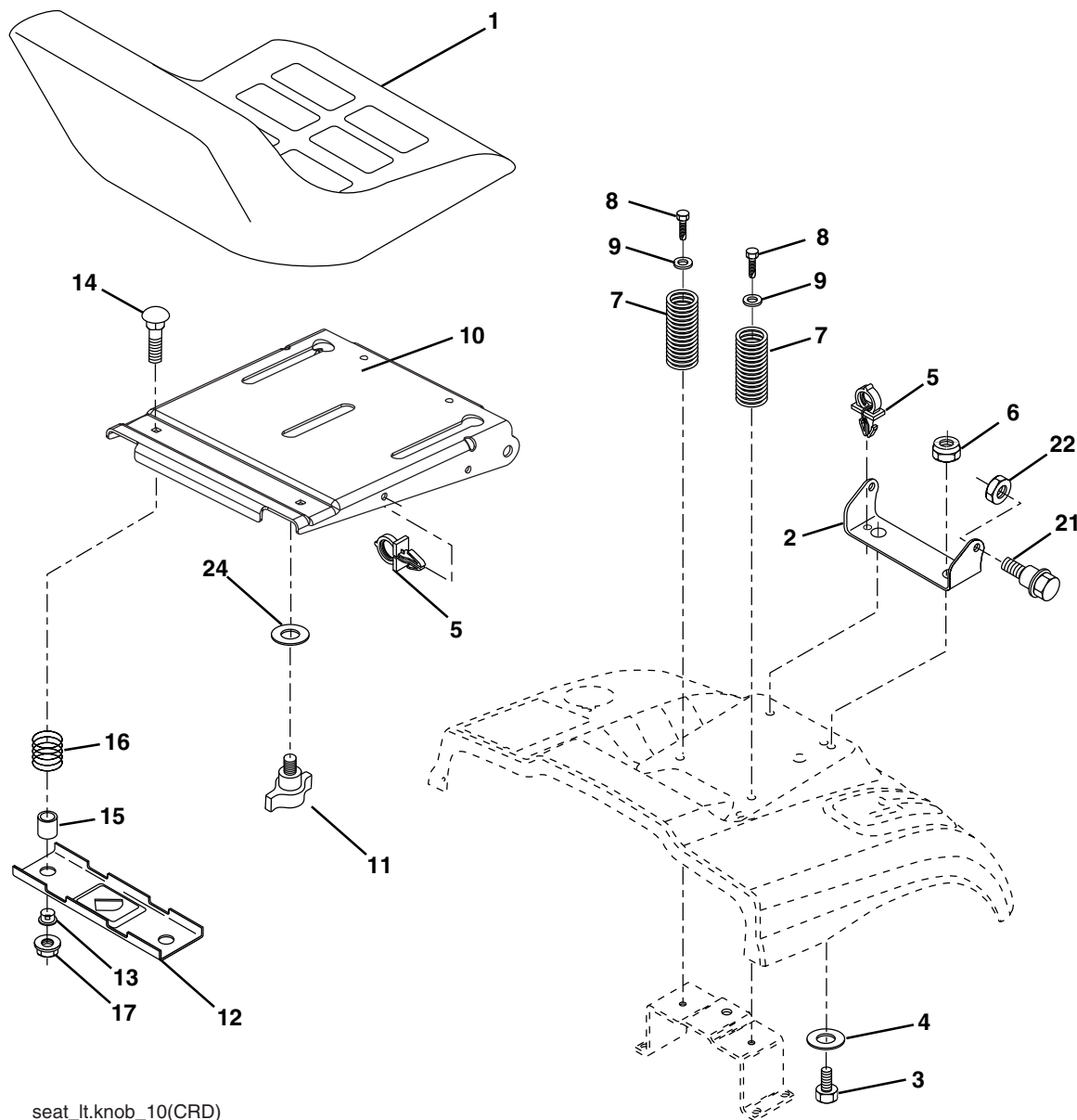
## TRACTOR- -MODEL NO.LT2115CM (J2115CMA) PRODUCT NO. 954 13 02-15 STEERING ASSEMBLY

KEY NO.	PART NO.	DESCRIPTION
1	532 17 20-92	Steering Wheel
2	532 18 47-06	Axle Asm Cast Iron
3	532 16 98-40	Spindle Assembly, L.H.
4	532 16 98-39	Spindle Assembly, R.H.
5	532 12 49-31	Washer, Thrust .75 x 1.230
6	532 12 17-48	Washer 25/32 x 1-5/8 x 16 Ga.
8	812 00 00-29	Ring, Klip
10	532 17 51-21	Link, Drag
11	810 04 06-00	Washer, Lock
12	873 94 08-00	Nut Hex Jam Toplock 1/2-20 unf
13	532 13 65-18	Spacer Brg Axle Front
15	532 14 52-12	Nut, Hex Flange Lock
17	532 18 06-41	Shaft Assembly, Steering
29	817 00 06-12	Screw 3/8-16 x 3/4
32	532 17 01-62	Rod, Tie
33	819 11 12-16	Washer 11/32 x 3/4 x 16 Ga.
34	810 04 05-00	Washer Lock Hvy Hlcl Spr 5/16
35	873 54 05-00	Crownlock Nut 5/16-24 unf
36	532 15 50-99	Bushing, Steering
37	532 15 29-27	Screw TT #10-32 x 5 x 3/8 Flange
38	532 17 20-93	Cap Wheel Steering
39	819 18 24-11	Washer 9/16 x 1-1/2 x 11 Ga.
40	873 54 06-00	Nut Crownlock 3/8-24
41	532 15 99-45	Adaptor, Steering Wheel
42	532 16 96-33	Boot, Steering Dash P/L Mtl
43	532 12 17-49	Washer 25/32 x 1-1/4 x 16 Ga.
44	532 18 06-40	Extension Steering
46	532 12 12-32	Cap, Spindle
51	873 54 04-00	Nut Crownlock 1/4-28
54	871 13 04-20	Bolt Hex 1/4-28 unf x 1-1/4
65	532 16 03-67	Spacer Brace Axle
67	872 11 06-18	Bolt Rdhd Sq 3/8-16 x 2-1/4
68	532 16 98-27	Brace Axle
71	532 17 51-46	Steering Asm.
82	532 16 98-35	Bracket Susp Chassis Front 15"
87	532 17 39-66	Washer Flat .781 x 1-1/2 x .14
88	532 17 51-18	Bolt Shoulder 7/16-20 unc
91	532 17 55-53	Clip Steering
95	532 18 89-67	Washer Harden .739 x 1.637 x 060

**NOTE:** All component dimensions given in U.S. inches.  
1 inch = 25.4 mm.

# REPAIR PARTS

TRACTOR- -MODEL NO.LT2115CM (J2115CMA) PRODUCT NO. 954 13 02-15  
SEAT ASSEMBLY



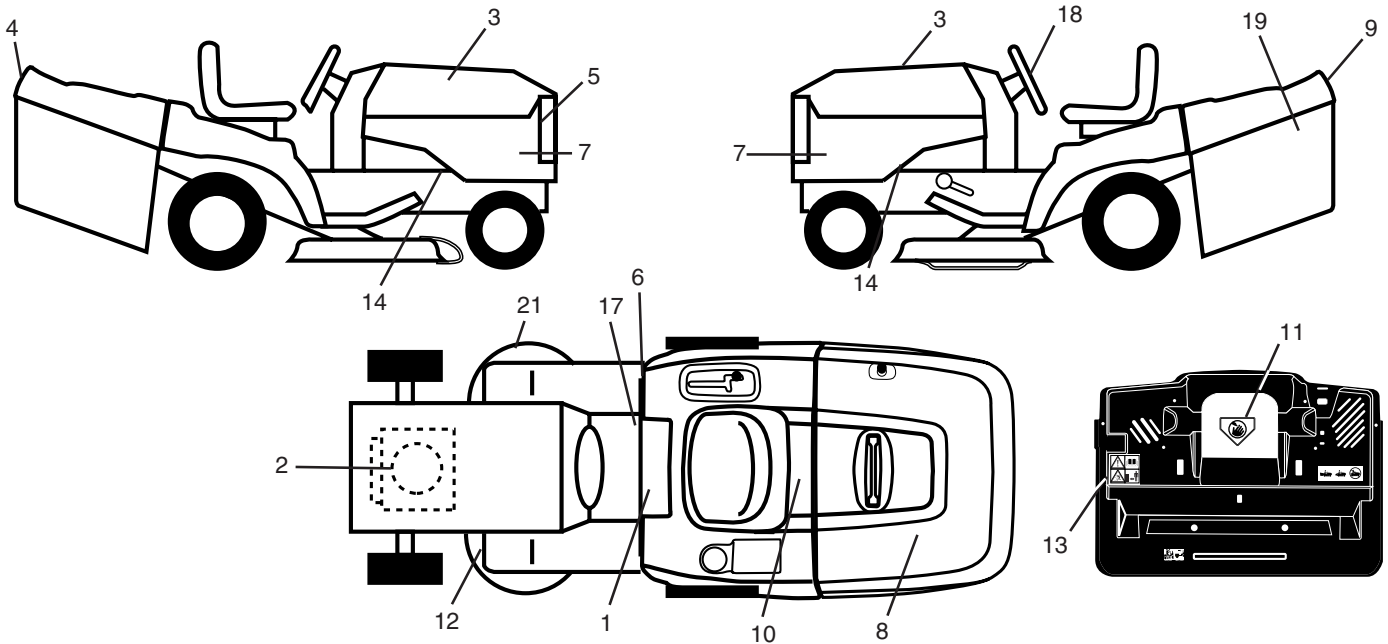
seat\_lt.knob\_10(CRD)

KEY NO.	PART NO.	DESCRIPTION	KEY NO.	PART NO.	DESCRIPTION
1	532 18 87-05	Seat	12	532 12 12-46	Bracket Pnt Mounting Switch
2	532 18 01-66	Bracket Pnt Pivot Seat (blk )	13	532 12 12-48	Bushing Snap Blk Nyl 50 Id
3	871 11 06-16	Bolt Fin Hex 3/8-16 x 1	14	872 05 04-12	Bolt Rdhd Sht Nk 1/4-20 x 1-1/2
4	819 13 16-10	Washer Flat 13/32 x 1 x 10 Ga.	15	532 13 43-00	Spacer Split
5	532 14 50-06	Clip Push In Hinged	16	532 12 12-50	Spring Cprsn Plate SW 1.310 Ga.
6	873 80 06-00	Nut Lock w/Ins. 3/8-16	17	532 12 39-76	Nut Lock 1/4 Lge Flg Gr. 5 Zinc
7	532 12 41-81	Spring Seat Cprsn 2 250 Blk Zi	21	532 17 18-52	Bolt Shoulder 5/16-18 unc-2A
8	817 00 06-16	Screw 3/8-16 x 1.5 Smgml Tap/R.Z	22	873 80 05-00	Nut Hex Lock w/Ins 5/16-18
9	819 13 16-14	Washer 13/32 x 1 x 14 Ga.	24	819 17 19-12	Washer 17/32 x 1-3/16 x 12 Ga.
10	532 18 01-86	Pan Assembly Seat			
11	532 16 63-69	Knob Seat Adj. Wingnut			

**NOTE:** All component dimensions given in U.S. inches.  
1 inch = 25.4 mm

# REPAIR PARTS

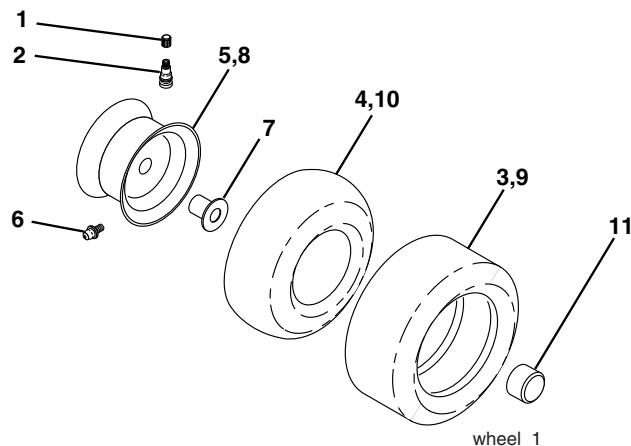
TRACTOR- -MODEL NO.LT2115CM (J2115CMA) PRODUCT NO. 954 13 02-15  
DECALS



KEY NO.	PART NO.	DESCRIPTION
1	532 14 54-98	Decal Read Owner's Manual Sym
2	532 18 91-47	Decal Rpl. Int. 15 Koh.
3	532 18 95-33	Decal Hood
4	532 18 88-26	Decal Fender Cat. No.
5	532 18 51-85	Decal Grille Logo
6	532 18 04-32	Decal 100 DB/CE
7	532 18 88-76	Decal Sidepanels Koh.
8	532 18 39-31	Decal Bagger
9	532 18 39-30	Decal Fender Logo
10	532 14 50-05	Decal Bat Dan/Poi P/L Sym Wpn
11	532 18 21-66	Decal Mower Cut Finger Symbol
12	532 15 97-37	Decal Brake/Clutch Symbol Lt

KEY NO.	PART NO.	DESCRIPTION
13	532 18 04-35	Decal Warn Back Plate CRD
14	532 15 97-36	Decal Chassis Hot Muffler
17	532 14 08-37	Decal Saddle Brake Parking
18	532 18 57-73	Decal Ins Strg Whl
19	532 18 26-21	Decal Bagger Frame Assy.
21	532 16 62-86	Decal Deck Sch 92 CRD
—	532 13 83-11	Decal Lift Handle
—	532 18 10-91	Pad FTREST LH
—	532 18 10-90	Pad FTREST RH
—	532 18 26-21	Decal Bagger Frame
—	532 18 83-89	Manual Operator's (Euro)
—	532 18 83-90	Manual Operator's (Scand)

## WHEELS & TIRES

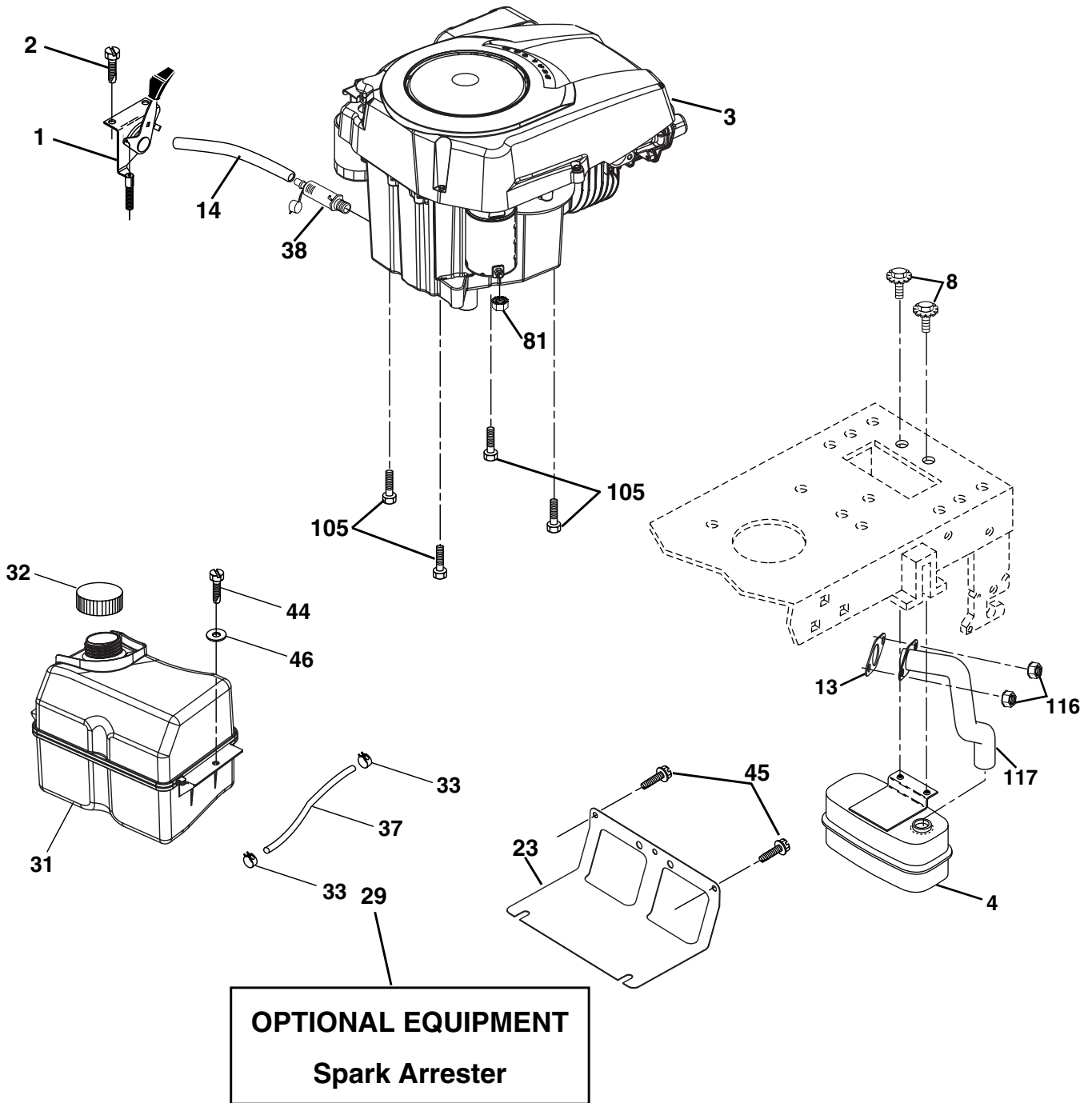


KEY NO.	PART NO.	DESCRIPTION
1	532 05 91-92	Cap Value Tire
2	532 06 51-39	Stem Value
3	532 10 62-22	Tire F Ts 15 x 6 0 - 6 Service
4	532 05 99-04	Tube Inner Front #35060
5	532 13 83-36	Rim Asm 6" front Silver Service
6	532 12 49-57	Fitting Grease
7	532 12 49-59	Bearing Flange
8	532 13 83-37	Rim Asm 8" rear Silver Service
9	532 10 62-68	Tire R Ts 18 x 9.5-8 C Service
10	532 12 49-26	Tube Rear 9 5 x 8 Service
11	532 17 50-39	Cap Axle Blk 1 50 x 1 00
--	532 14 43-34	Sealant, Tire (10 oz. tube)

**NOTE:** All component dimensions given in U.S. inches  
1 inch = 25.4 mm

# REPAIR PARTS

TRACTOR- -MODEL NO.LT2115CM (J2115CMA) PRODUCT NO. 954 13 02-15  
ENGINE



engine-kohler\_42

# REPAIR PARTS

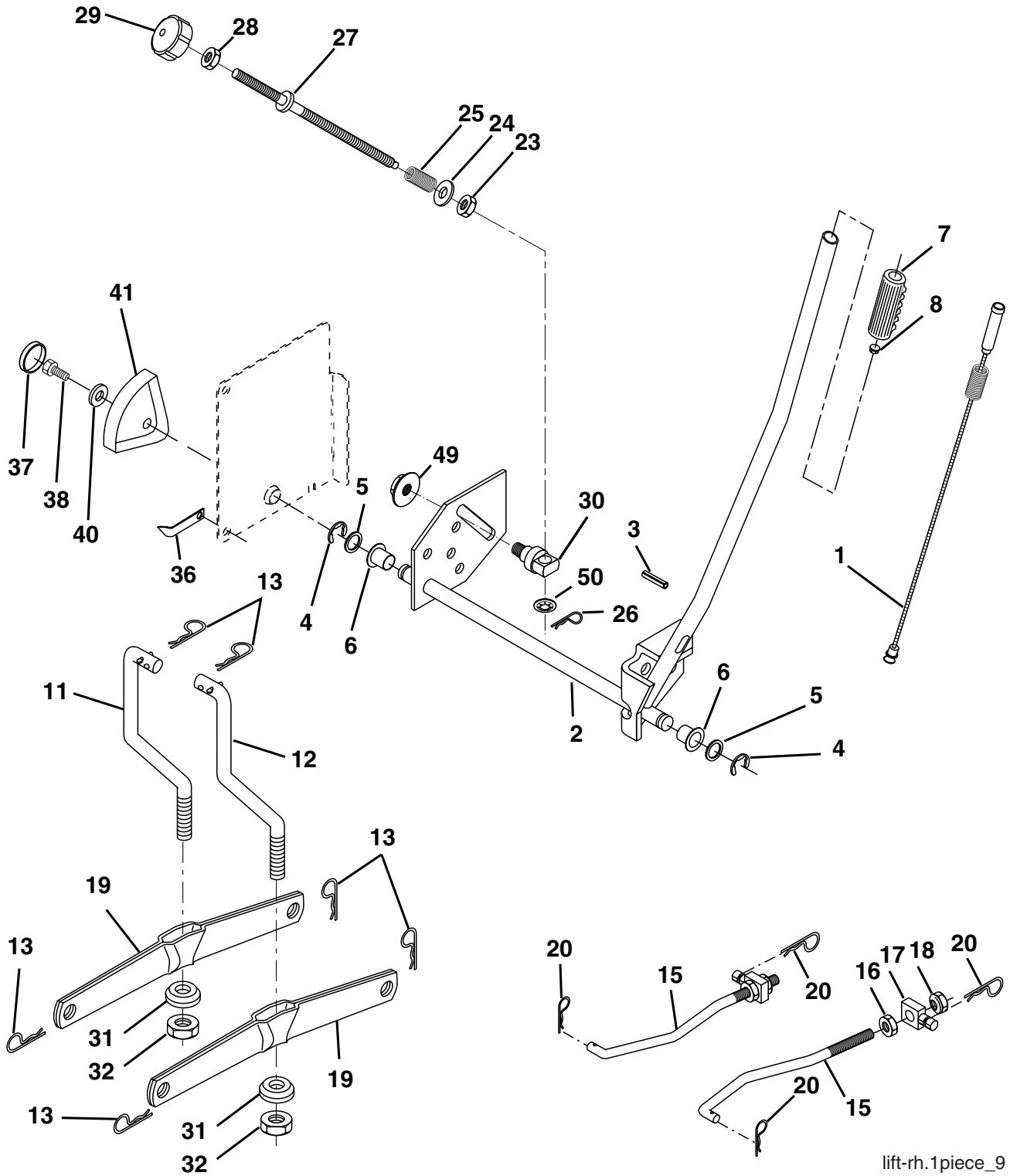
TRACTOR- -MODEL NO.LT2115CM (J2115CMA) PRODUCT NO. 954 13 02-15  
ENGINE

KEY NO.	PART NO.	DESCRIPTION
1	532 17 08-05	Control Throt /Ch Flag
2	817 72 04-08	Screw Hex Thd Cut 1/4-20x1/2
3	-----	Engine Kohler SV470 (Order Parts from Engine Manufacturer)
4	532 18 86-55	Muffler Exhaust
8	532 17 18-77	Bolt 5/16-18 unc x 3/4
13	532 18 59-09	Gasket Kohl
14	532 14 84-56	Tube Drain Oil Easy
23	532 16 98-37	Shield Browning/Debris Guard
29	532 13 71-80	Arrestor Spark
31	532 18 55-34	Tank Fuel 2.00 Fr
32	532 14 05-27	Cap Asm Fule Top Vent N/Lany
33	532 12 34-87	Clamp Hose Blk
37	532 13 70-40	Line Fuel 20"
38	532 18 16-54	Plug Drain Oil Easy
44	817 67 04-12	Screw Hexwsh Thdrol 1/4-20 x 3/4
45	817 00 06-12	Screw Hexwsh Thdr 3/8-16 x 3/4
46	819 09 14-16	Washer 9/32 X 7/8 X 16 Ga.
81	873 51 04-00	Nut Keps Hex 1/4-20 unc
105	817 12 06-16	Screw 3/8-16 x 1
116	532 18 43-62	Nut Hex Flange Toplock M8-1.25
117	532 18 86-54	Tube Exhaust

**NOTE:** All component dimensions given in U.S. inches  
1 inch = 25.4 mm

# REPAIR PARTS

TRACTOR- -MODEL NO.LT2115CM (J2115CMA) PRODUCT NO. 954 13 02-15  
MOWER LIFT



lift-rh.1piece\_9

# REPAIR PARTS

TRACTOR- -MODEL NO.LT2115CM (J2115CMA) PRODUCT NO. 954 13 02-15  
MOWER LIFT

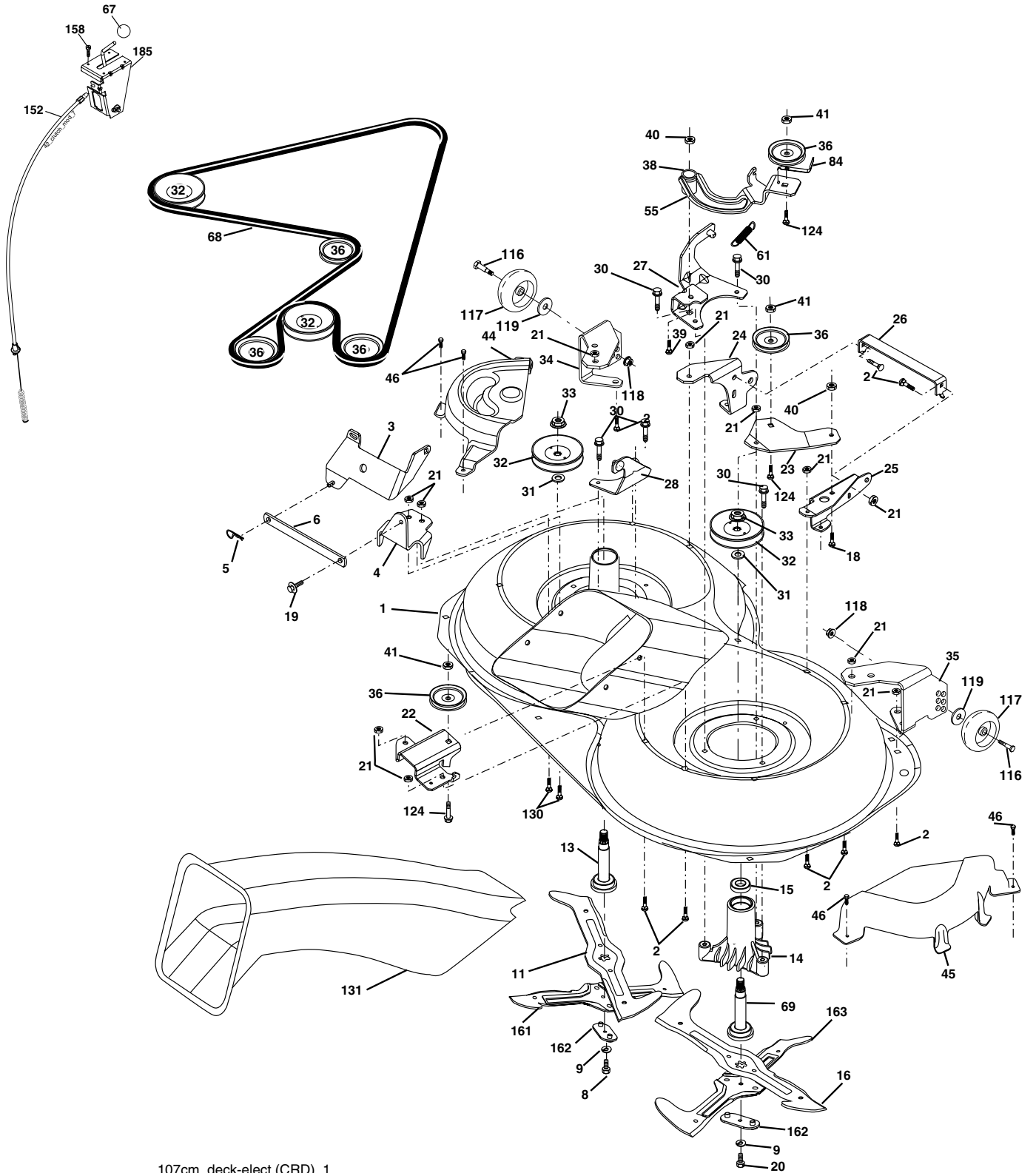
KEY NO.	PART NO.	DESCRIPTION
1	532 15 94-60	Washer Asm Inner Spring W/Plunger
2	532 15 94-71	Shaft Asm. Lift
3	532 10 57-67	Pin Groove
4	812 00 00-02	E Ring #5133-62
5	819 21 16-21	Washer 21/32 x 1 x 21 Ga.
6	532 12 01-83	Bearing Nylon
7	532 12 56-31	Grip Handle
8	532 12 45-26	Button Plunger
11	532 16 58-29	Link Asm Lift L.H.
12	532 16 58-31	Link Asm Lift R.H.
13	532 12 46-70	Retainer Spring
15	532 17 32-88	Link Front
16	873 35 08-00	Nut Jam Hex 1/2-13 unc
17	532 17 56-89	Trunnion Blk Zinc
18	873 80 08-00	Nut Lockwasher 1/2-13 unc
19	532 13 98-68	Arm Suspension Mower
20	532 16 35-52	Retainer Spring
23	532 11 08-07	Nut Special
24	819 13 10-16	Washer 13/32 x 5/8 x 16 Ga.
25	532 12 48-74	Spring 2-1/8
26	532 16 94-84	Retainer Clip
27	532 12 69-71	Rod Adj Lift Zinc
28	873 35 06-00	Nut Hex Jam 3/8-16 unc
29	532 13 80-57	Knob Inf 3/8-16 unc
30	532 15 02-33	Trunnion Infin Height
31	532 16 98-65	Bearing, Pvt. Lift.
32	873 54 06-00	Nut Crownlock 3/8-24
36	532 15 50-97	Pointer Height Indicator
37	532 12 39-35	Plug Hole Blk
38	817 06 05-16	Screw 5/16-18 x 1 Smgml Tap/R
40	819 11 24-10	Washer 11/32 x 1-1/2 x 10 Ga.
41	532 12 39-34	Scale Ind Height Blk
49	532 14 52-12	Nut Hex flange lock
50	532 11 04-52	Nut Push Phos &Oil

**NOTE:** All component dimensions given in U.S. inches  
1 inch = 25.4 mm



# REPAIR PARTS

TRACTOR- -MODEL NO.LT2115CM (J2115CMA) PRODUCT NO. 954 13 02-15  
MOWER



107cm\_deck-elect.(CRD)\_1

# REPAIR PARTS

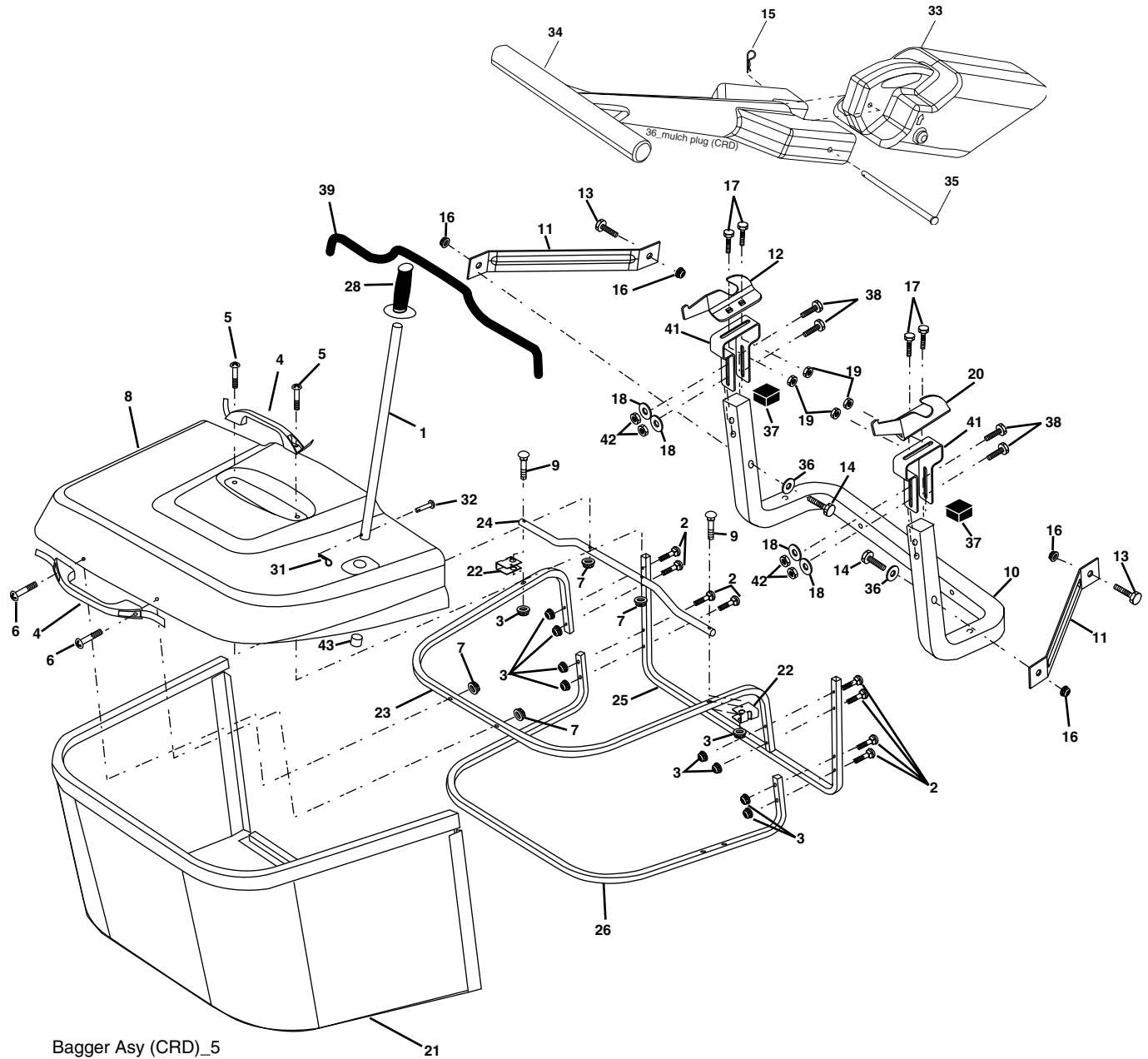
TRACTOR- -MODEL NO.LT2115CM (J2115CMA) PRODUCT NO. 954 13 02-15  
MOWER

KEY NO.	PART NO.	DESCRIPTION	KEY NO.	PART NO.	DESCRIPTION
1	532 16 55-52	Housing Asm. Mower 92 CRD	45	532 17 55-39	Cover Mandrel Rh 92 CRD
2	872 14 05-06	Bolt Rdhd Sqnk 5/16-18 unc x 3/4	46	532 13 77-29	Screw Thd Roll 1/4-20 x 5/8
3	532 16 55-69	Bracket Asm. S-Bar Chass 92 CRD	55	532 16 54-45	Arm Idler 92 CRD
4	532 16 55-58	Bracket Bar Sway Deck 92 CRD	61	532 16 59-45	Spring Tension Belt
5	532 12 46-70	Retainer Spring	67	532 10 69-32	Knob Rd 3/8-16 Plstc Thds Blk
6	532 16 55-57	Bar Sway 92 CRD	68	532 18 02-17	Hex-Belt 92 Mower 92
8	532 18 17-12	Bolt 3/8-24 x 1.25 Gr. 8 Patched	69	532 16 54-82	Shaft Asm W/Lwr Brg Rh Thd CRD
9	810 03 06-00	Washer Lock Hvy 3/8 Unplated	84	532 15 60-85	Keeper Belt Idler
11	532 18 63-85	Blade 3-1 Lh 92 CRD	116	532 18 42-19	Bolt Shoulder
13	532 13 76-45	Shaft Asm. W/Lower Bearing	117	532 13 39-57	Wheel Gage Donut Wide
14	532 12 87-74	Housing Mandrel Vented (Machd)	118	873 93 06-00	Nut Centerlock 3/8-16 unc
15	532 11 04-85	Bearing Ball Mandrel	119	819 12 14-14	Washer 3/8 x 7/8 x 14 Ga.
16	532 18 63-86	Blade 3-1 Rh 92 CRD	124	872 11 06-12	Bolt Carr Sh 3/8-16 x 1-1/2 Gr. 5
18	872 11 06-06	Bolt Rdhd Sqnk 3/8-16 x 3/4 Gr. 5	130	872 11 05-06	Bolt Rdhdsqnk 5/16-18 unc x 3/4
19	532 13 28-27	Bolt Shoulder 5/16-18 Thd Form	131	532 16 56-61	Chute Bagger CRD 92cm
20	532 18 17-13	Bolt 3/8-24 x 1.25 Gr. 8 Ptch Lhthd	151	532 16 96-70	Bracket Clutch Cable
21	873 68 05-00	Nut Crown Lock 5/16-18	152	532 17 60-74	Clutch Cable CRD
22	532 16 52-43	Bracket Idler Sprt RR 92 CRD	153	532 16 96-74	Washer Flat 3/8" Tupe B
23	532 16 54-46	Bracket Idler Sprt RF 92 CRD	154	532 16 96-75	Spring Retainer
24	532 16 52-42	Bracket Suspension LF 92 CRD	155	532 16 96-71	Spring Retention Lvr Cltch Cab
25	532 16 52-44	Bracket Suspension RF 92 CRD	156	532 16 96-72	Spacer Clutch Cable
26	532 16 52-37	Brace Support Susp Frt CRD	157	532 16 96-69	Rod Clutch Cable 3/8"
27	532 16 55-68	Bracket Asm. Susp RR 92 CRD	158	817 72 04-08	Screw Hex Thd Cut 1/4-20 x 1/2
28	532 16 55-67	Bracket Asm. Susp LR 92 CRD	161	532 18 63-87	Blade Cross LH
30	532 17 39-84	Screw Thd Rolling Washer Head	162	532 18 08-78	Adapter Blade Cross
31	532 18 76-90	Washer Spacer	163	532 18 63-88	Blade Cross RH
32	532 15 35-31	Mandrel Pulleys 36 & 46	185	532 18 82-34	Head asm. Cable Clutch
33	532 17 83-42	Nut Flg Top Lock Cntr B 9/16	--	532 18 18-57	Mandrel Asm Service
34	532 16 52-39	Bracket Gauge Wheel Lf 92 CRD	--	532 18 18-58	Mandrel Asm CRD Lh Threads SVC
35	532 16 52-38	Bracket Gauge Wheel Rf 92 CRD	--	532 18 85-23	Replacement Mower Complete (Std. Deck - Order separately gauge wheel components key nos. 116-119)
36	532 14 67-63	Pulley Idler V-Groove Dim 4.25			
37	819 13 13-16	Washer 11/32 x 13/16 x 16 Ga.			
38	532 16 57-23	Spacer Retainer			
39	872 14 06-10	Bolt Carriage 3/8-16 x 1-1/4			
40	873 68 06-00	Nut Crownlock 3/8-16 unc			
44	532 17 55-38	Cover Mandrel Lh 92 CRD			

**NOTE:** All component dimensions given in U.S. inches  
1 inch = 25.4 mm

# REPAIR PARTS

TRACTOR- -MODEL NO.LT2115CM (J2115CMA) PRODUCT NO. 954 13 02-15  
BAGGER



# REPAIR PARTS

TRACTOR- -MODEL NO.LT2115CM (J2115CMA) PRODUCT NO. 954 13 02-15  
BAGGER

KEY NO.	PART NO.	DESCRIPTION
1	532 16 52-49	Tube Handle Bagger CRD
2	872 14 04-16	Bolt Carriage 1/4-20 x 2.0 Gr. 5
3	532 12 39-76	Nut Lock 1/4 Lge Flg Gr. 5 Zinc
4	532 16 99-16	Handle Grab Plastic Black W/Lvrs
5	874 98 10-24	Screw Pan Head #10-24 x 1.50 Blk
6	874 98 10-32	Screw Pan Hd
7	873 40 10-00	Nut Wiz Lock Hex Serr/Hd 10-24
8	532 18 13-54	Cover Bagger
9	872 14 04-18	Bolt Carriage 1/4-20 x 2.25d x Gr. 5
10	532 18 12-82	Tube Support Bagger CRD
11	532 16 57-19	Bracket Support Upper Bag CRD
12	532 16 96-85	Bracket Horiz Adj. Bagger Lh CRD
13	872 11 06-06	Bolt Rdhd Sht Sqnk 3/8-16 x 3/4
14	874 52 06-36	Bolt Fin Hex 3/8-16 x 2-1/4 Gr. 5
15	532 12 46-70	Retainer Spring
16	873 90 06-00	Nut Lock Flg 3/8-16 unc
17	872 14 05-06	Bolt Rdhd Sht Sqnk 5/16 -18 unc x 3/4
18	819 11 12-16	Washer 11/32 x 3/4 x 16 Ga.
19	873 90 05-00	Nut Lock Hex Flange 5/16-18
20	532 16 96-84	Bracket Horiz Adj Bagger RH CRD
21	532 18 08-80	Bag Asm CRD
22	532 16 57-81	Bracket Side Bagger CRD
23	532 16 57-82	Tube Upper Bagger CRD
24	532 16 57-83	Tube Pivot Bagger CRD
25	532 18 01-24	Tube Front Bagger CRD
26	532 16 57-85	Tube Lower Bagger CRD
28	532 16 57-87	Grip Handle Black
31	532 16 94-84	Retainer Clip
32	532 12 68-75	Rivet Rd Hd Drilled 3/8 Dia
33	532 16 55-71	Plug Mulcher 92 CRD
34	532 16 55-70	Handle Mulcher 92/107 CRD
35	532 16 55-72	Pin Mulcher 92/107 CRD
36	819 13 20-16	Washer 13/32 x 1-1/4 x 16 Ga.
37	532 17 54-01	Plug Support Bagger CRD
38	872 01 05-20	Bolt 5/16-18 x 2.50
39	532 18 09-85	Seal 26"
41	532 16 96-83	Bracket Vert Adj. Bagger CRD
42	873 80 05-00	Nut Lock Hx w/Ins 5/16-18 unc
43	532 17 40-83	Plug Tubing End

**NOTE:** All component dimensions given in U.S. inches  
1 inch = 25.4 mm